

Vieques Car Rental

Tel (787) 741-1037

Cell (787) 435-1323

A-76 Felo Anduce

Vieques, PR 00765

RENTAL AGREEMENT viequescarrental@yahoo.com

CONDITIONS

- Obey the speed limits and all other traffic laws.
- Wear your seat belt.
- No parking "No Estacione" where curb is yellow or blue
- No in Spanish is no in English.
- Report traffic violations to our office.
- Do not lock the vehicle at the beach, leave windows open, do not leave valuables in the vehicle.
- Lock the vehicle in all other locations.
- Be careful for animals and pedestrians in the roadway.
- Do not put anything on the roof of the vehicle, no bikes or kayaks in or on the vehicle.
- Do not sit in the vehicle with wet bathing suits, suntan lotion or mud on your body, no feet on the dashboard or upholstery.
- No smoking, drinking or eating in the vehicle. No alcohol!
- Jack, lug wrench and fix a flat are under rear seat.
- The vehicle may not be driven to the Bio Bay.
- Do not go swimming with the key.
- Rental Day starts at 1PM and ends at Noon, be on time for your check in. No discounts for early returns.

EXTRA CHARGES

TICKETS - If you don't pay.	\$25.00 + FINE
GASOLINE - Returned less than full.	\$25.00 + GAS
KEYS - Lost Keys and lockouts.	\$25.00 + TRAVEL
Lost Electronic Key FOB.	\$500.00 + TRAVEL
TIRES - Road Service, Flats	\$25.00 + TRAVEL
Fix A Flat	\$10.00
Non Repairable Tires	Replacement Cost
Tire Repair	\$25.00
BATTERY - Road Service if battery is dead from lights etc. left on.	\$25.00 + TRAVEL
TOWING - From beach or off road	
Line Tow - Minimum	\$50.00 + TRAVEL
Flat Bed - Minimum	\$100.00 + TRAVEL
EXTRA CLEANING - Outside - Minimum	\$10.00
Inside - Minimum	\$10.00
WAITING TIME - Pick ups After 10 minutes.	\$1.00 per min.

I have read, understand and agree to all conditions and extra charges as stated on this form. By signing this form I agree to abide by all conditions as stated. I authorize Vieques Car Rental to charge my Visa or Mastercard account for any and all extra charges incurred.

X _____ Renter _____ Date

Vieques Car Rental

Tel (787) 741-1037
Cell (787) 435-1323

A-76 Felo Anduce

Vieques, PR 007

RENTAL AGREEMENT *viequesarrental@yahoo.ci*

Renter _____

Address _____

License No. _____

State _____ Expiration _____

Local Address _____

Credit Card No. _____

Credit Card Owner _____

VISA _____ MC _____ Expiration _____

Auth. Code _____ AMT _____

Tel _____

Second Driver _____

Address _____

License No. _____

State _____ Expiration _____

Physical Loss or Damage to Vehicle

If the vehicle is lost or damaged while on rental, whether or not due to the Renter's fault, Renter agrees to pay Vieques Car Rental on demand the amount of such loss or damage at the prevailing retail price plus related expenses, including loss of use. Damage includes non repairable tires.

X _____ Renter

Renter Responsibilities

- Speed Limits - 35 MPH paved roads
10 MPH unpaved roads
- All occupants must wear a seat belt.
- Report any accident to the Police at 787-741-2020 and to Vieques Car Rental.
- Report any problem with the vehicle to Vieques Car Rental.
- Renter is responsible for flat tires.
- Vehicle may not be driven off road or on the beach.
- Put only premium gas in the vehicle.

Car No. _____ License No. _____

Make / Model / Color _____

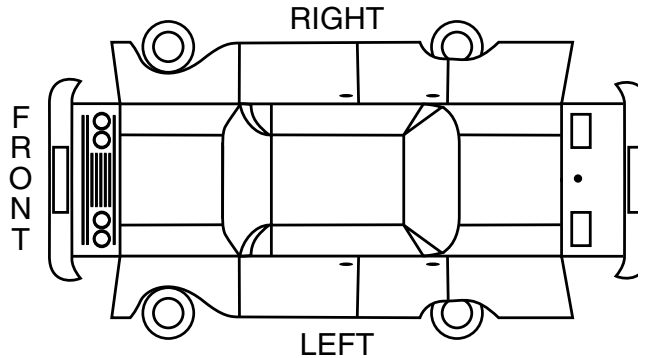
Date / Time Out _____

Return Date / Time _____

Date / Time In _____

GASOLINE

	E	1/8	1/4	3/8	1/2	5/8	3/4	7/8
OUT								
IN								



Spare Tire _____ Lug Wrench _____ Radio _____

Jack w/ handle _____ Floor Mats _____

SUMMARY OF CHARGES

_____ DAYS @ _____ • _____	Total _____ • _____
_____ HOURS @ _____ • _____	Total _____ • _____
Gas _____ + _____ • _____	Total _____ • _____
Damages _____	Total _____ • _____
Other Charges _____	Total _____ • _____
_____	Total _____ • _____
_____	Total _____ • _____
_____	Tax _____ • _____
Total Amount Due	_____ • _____

I have read, understand and agree to the terms and conditions on both sides of this agreement. By signing this form the undersigned accepts full responsibility for all charges set forth above including damages, and agrees that the total amount due set forth above is to be charged to the undersigned's Mastercard or Visa account.

X _____ Renter